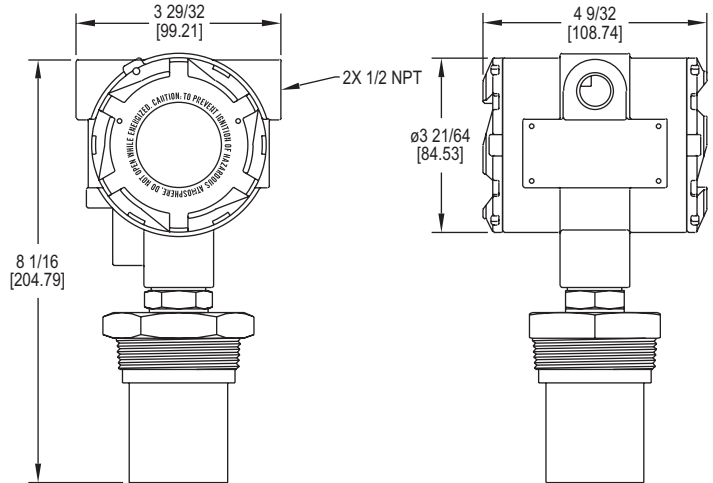


# ULTRASONIC LEVEL TRANSMITTER

Explosion-Proof, Mapping Software, 3" (76.2 mm) Measuring Column



The **Series ULT Ultrasonic Level Transmitter** provides non-contact measurement of liquid levels in an explosion-proof body. It is capable of measuring up to 32.8' (10 m) with a PVDF sensor and 4 to 20 mA output.

## FEATURES/BENEFITS

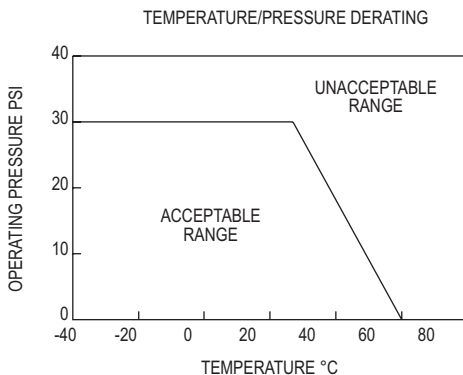
- Provides reliable, accurate, and non-contact level measurement of compatible liquids
- Non-contact technology offers no moving parts to wear, jam, corrode, or get coated like contact technologies
- Mapping software makes effective measuring surface only a 3" (76.2 mm) diameter column with no concerns of ladders, pipes, or other tank intrusions in the remaining sound cone
- FM approved explosion-proof making it ideal for use in hazardous locations
- Easy programming with 6 digit LCD display and simple menu structure
- Output range is adjustable with choices of inputting tank dimensions or by filling and emptying the tank while calibrating and it automatically and scaling to levels it senses
- Window cover allows easy viewing of display
- Fail-safe output options and diagnostic capabilities

## APPLICATIONS

- Water and wastewater
- Pulp and paper processing
- Chemical processing
- Food and beverage

## MODEL CHART

Model	Range
ULT-11	24.6' (7.5 m)
ULT-21	32.8' (10 m)



## SPECIFICATIONS

**Service:** Compatible fluids. Not for use with powder and bulk solids.  
**Wetted Materials:** Sensor: PVDF; Process connection: 303 SS; O-ring: Fluoroelastomer.  
**Ranges:** 24.6' (7.5 m), 32.8' (10 m).  
**Accuracy:** ±0.2% FS.  
**Resolution:** 0.079" (2 mm).  
**Blind Zone:** Under 8" (20 cm).  
**Beam Width:** 3" (7.6 cm) diameter.  
**Temperature Limits:** Ambient: -40 to 140°F (-40 to 60°C); Process: -4 to 140°F (-20 to 60°C).  
**Temperature Compensation:** -40 to 140°F (-40 to 60°C).  
**Pressure Limits:** 30 psi (2 bar) up to 25°C (77°C). Above 25°C (77°F), rating decreases 1.667 psi per 1°C increase. See chart.  
**Power Requirement:** 18-28 VDC (two-wire).  
**Output Signal:** 4-20 mA or 20-4 mA (two-wire).  
**Max. Loop Resistance:** 250 Ω at 24 VDC.  
**Electrical Connections:** Screw terminal.  
**Conduit Connection:** 1/2" NPT female (two) or optional M20.  
**Process Connection:** 2" NPT male or optional BSPT.  
**Enclosure Rating:** Weather-proof meets NEMA 4X (IP66), explosion-proof rated Class I, Div. 1, Groups B, C, D; Class II/III, Div. 1, Groups E, F, G.  
**Mounting Orientation:** Vertical.  
**Failsafe:** On lost echo after 30 seconds, user selectable to 4, 20, 21, 22 mA or last signal.  
**Memory:** Non-volatile.  
**Display:** 6 character LCD.  
**Units:** In, cm, ft, m, percent.  
**Programming:** 4 button.  
**Weight:** 4.0 lb (1.8 kg).  
**Agency Approvals:** CE, FM.